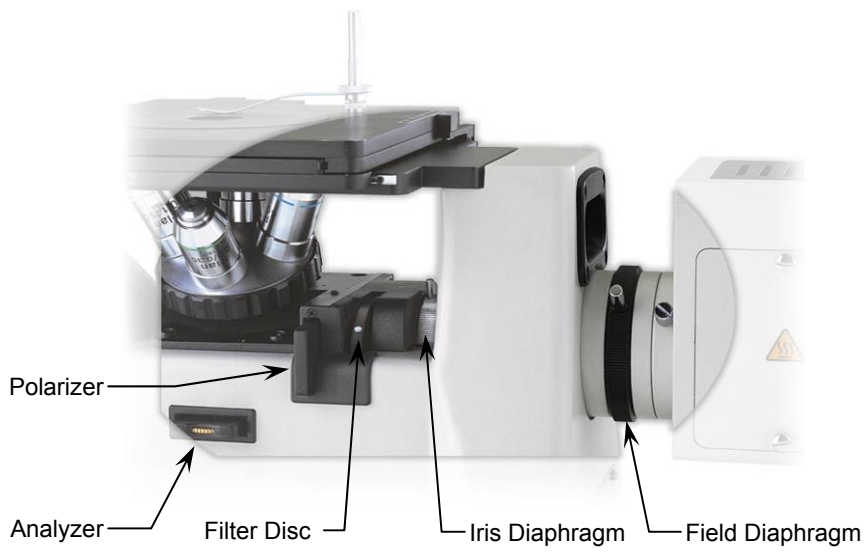
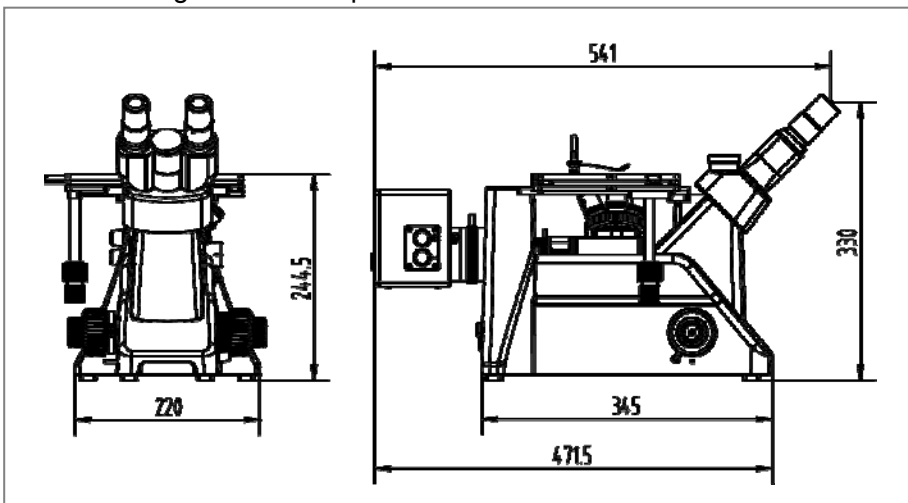


MDS Metallurgical Microscope





MDS Metallurgical Microscope Size (mm)



MDS Metallurgical Microscope Outfits

Items	Specifications	MDS
Eyepieces	WF10×/Φ18	●●
	WF12.5×/Φ14	●●
	WF16×/Φ13	○○
	Huygenian Eyepieces 5×/Φ20	○○
	WF10×/(Reticule,0.1mm)	●
Plan Achromatic Objectives	Plan 4×/0.10	○
	Plan 10×/0.25	●
	Plan 20×/0.35 (S)	●
	Plan 40×/0.65 (S)	●
	Plan 100×/1.25 (S) (Oil)	●
Long Working Distance Plan Objectives	PL L 40×/0.60 W.D=3.64mm	○
	PL L 50×/0.70 W.D=3.01mm	○
	PL L 80×/0.80(S) W.D=1.08mm	○
Trinocular Head	Inclined 45°, Light Distribution 20:80	●
Nosepiece	Quadplex	●
Mechanical Stage	Size: 180×165mm, Travel Range: 50×40mm	●
Stage Plate	1 (Φ10)	●
	2 (Φ20)	●
	3 (Φ40)	○
Set of Stage Plate		●
Main Body		●
Polarizing Slide		●
Analyzing Slide		●
Illuminator	6V/30W Halogen Lamp, Input voltage: 100V~240V	●
Filters	Blue, Green, Grey, White	●
1X C-mount	Available for digital photo camera	○
0.6X C-mount	Available for digital camera	○
Micrometer	Division 0.01mm	○

Note: "●" In Table Is Standard outfits, "○" Is Optional Accessories.

Packing Size: 590mm×590mm×380mm

Gross Weight: 14.5 kgs Net Weight: 11 kgs



Scientific Instrument & Optical Sales

Unit 1 / 62 Bishop St., Kelvin Grove 4059

Ph. 07-3356 0233 fax 07-335 60344

e-mail sales@sios.net.au WWW.sios.net.au