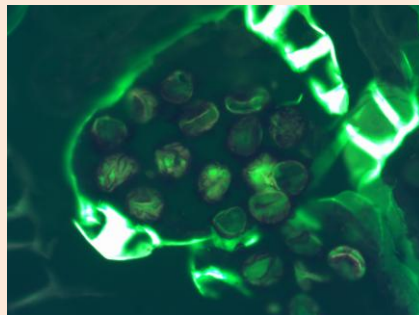
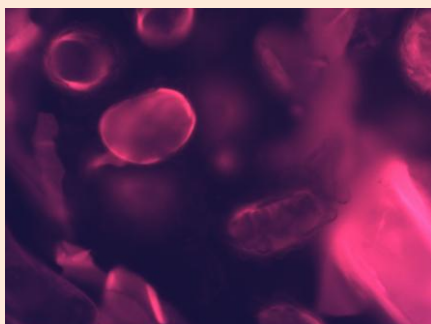


BK-FL2LED Fluorescence Microscope



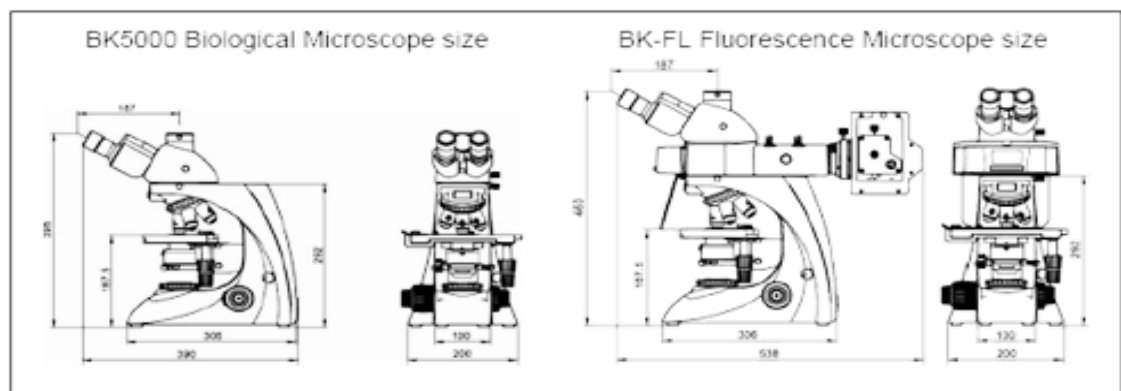
The BK-FL2LED is an economic and environmentally friendly Fluorescence microscope in that it consumes limited power and allows instantaneous imaging. [No warming up period, or having to wait for re-strike as with HBO type lamps.]

Its robust and compact design is ideal, if required to move the microscope. The 3W LED for transmitted light is excellent for bright field and phase contrast application if required. Set included Blue and Green filter sets.



BK-FL2LED Fluorescence Microscope Outfits

Items	Specification	BK-FL2LED
Eyepiece	WF10X / 20mm	●●
	WF10X / 20mm (Reticule 0.1mm,reticle)	○
	WF16X	○○
Infinity Plan Achromatic Objectives	PLAN 4X / 0.10	●
	PLAN 10X / 0.25	●
	PLAN 20X / 0.40(s)	●
	PLAN 40X / 0.66(s)	●
	PLAN 100X / 1.25(s, oil)	●
	PLAN 2.5X / 0.07	○
	PLAN 60X / 0.80(s)	○
Observing tube	Seidentopf Binocular Head	○
	Seidentopf Trinocular Head 100/100	●
Nosepiece	Inward Inclined positional quintuple nosepiece	●
Stage	Mechanical stage	●
Condenser	Abbe N.A.1.25	●
	Swing out achromatic condenser, N.A.0.9/0.13	○
Illumination device	6V/20W halogen (wide range input voltage: 100V~240V)	○
	6V/30W halogen (wide range input voltage: 100V~240V)	○
	3W-LED cold light illumination	●
Filter	blue (optional : yellow, green, gray)	●
C-mount	1× C-Mount (apply to photography)	○
	0.57× C-Mount (apply to digital camera system)	○
Fluorescence unit	Epi fluorescence unit (B, G)	●
	3W LED lamp house (B-LED lamp / G-LED lamp)	●
	LED power source	●
	Centering objective	●



Scientific Instrument and Optical Sales
 Unit 1, 62 Bishop Street, Kelvin Grove. Qld. 4059
 Phone (07) 3356 0233 Fax (07) 3356 0344
 e-mail sales@sios.net.au